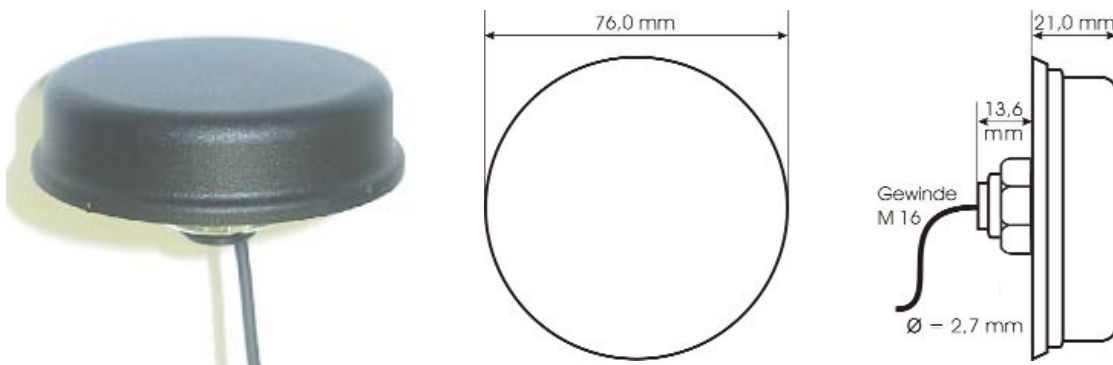


MC0114078-Q

Planar Mobile Communications Antenna GSM 800 - 960 / 1800 - 1900 / 2100 MHz Roof Mounting



TECHNICAL DATA:

GSM:

Frequency Range	800/900/1800/1900 + 2100 MHz
VSWR*	< 2.0 for cable longer 1.50m
Peak Gain*	+5 dBi typ. (800/900 MHz) +3 dBi typ. (1800/1900 MHz) +1 dBi typ. (2100 MHz)
Power	max. 10 W

* measured with 0.60m cable on 30x30cm ground plane

dimensions and connectors:

dimensions (∅/h):	approx. 76 mm / 21 mm
temperature range:	-25°C to +85°C
connection (standard):	3m RF-cable RG 174 with connector GSM/FME(f) (other cable-lengths or connectors on request)