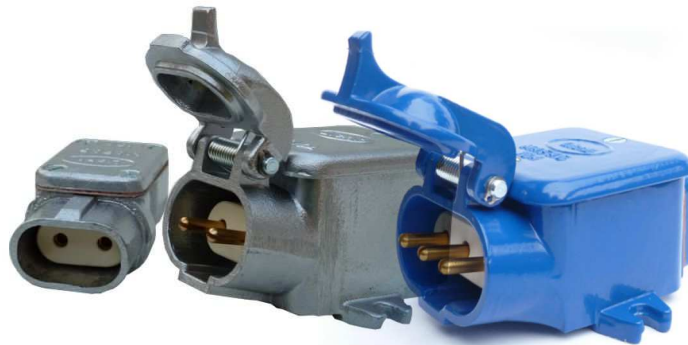


## Datasheet

# Limit Switch Connector 10A

for rail vehicles/locomotives and refuelling systems for diesel fuels, fuel oil and AdBlue /AUS32  
corresponds to the railway standard BN 74010-01 diesel fuels and BN 74010-02 fuel oi TAB 01, TAB02 for AdBlue..



### **Applications:**

- Connector for railway vehicles as limit switches.
- Refueling systems for AdBlue used for level monitoring.
- Refueling systems for diesel fuels used for level monitoring.
- Refueling systems for fuel oil used for level monitoring
- Locomotive lighting.

### **Description:**

The connector 10A is designed primarily as a 2-pin connector for diesel fuels, it is also available in a 3-pin version for fuel oil or for AdBlue applications.

As contact system are male/female contacts available.






Depending on the requirements, the socket and the plug can be supplied either with male or female contacts. The connector is coded against polarity.

The socket contains a hinged lid that is kept closed by a spring. The hinged lid ensures the connected plug against extraction.

### **Technical data:**

Housing material:	Aluminum die casting
Model:	socket or plug
Number of poles:	2 (diesel fuel) or 3 (fuel oil / AdBlue)
Contact system:	male/female
Contact material:	CuZn (Brass)
Protection class:	IP54 coupled
Rated current:	10A
Rated voltage:	42DCV
Temperature range:	-30°C ... + 90°C / -22°F....194°F
Resistant against:	Diesel fuels / fuel oil

**Limit switch 2-pole connectors:**

Description	Contact-type	Application Diesel fuel	Order No.	Reference No. / BT No.
Socket 2-pole with fitting 	female	mounting place: locomotive  Weight: 0,45kg	B000	For diesel fuel according to DN74010-01  Fld 26.97.BI6 / 007343, 037358
Socket 2-pole with fitting 	male	mounting place: locomotive  Weight: 0,45kg	B022	For diesel fuel according to DN74010-01  Fld 26.97.BI6 / 037416, 022349, 008102/50131647
Socket 2-pole with fitting 	male	At operating voltage >24V the cover must be painted yellow RAL1004 acc. to BN 74-010-01.  mounting place: locomotive  Weight: 0,45kg	B022-La1004  Old: B10570La008	For diesel fuel according to DN74010-01
Plug 2-pole 	female	mounting place: filling station  Weight: 0,25kg	B091	For diesel fuel according to DN74010-01  Fld 26.97.BI6 / 012688, 045018
Plug 2-pole 	male	mounting place: filling station  Weight: 0,25kg	B003	For diesel fuel according to DN74010-01  Fld 26.97.BI6 / 007344

**Limit switch: 3-pole connectors**

Description	Contact-type	Application: AdBlue / AUS32, fuel oil	Order No.	Reference No. / BT No.
 <p>Socket 3-pole with fitting</p>	male	<p><a href="#">For AdBlue/AUS32.</a> Socket must be painted completely blue, according to TAB 01 mounting place: locomotive Weight: 0,5kg</p>	B025-L	BN 74010-01 BN 74010-02 TAB 01 TAB 02 TRwS 781.2
 <p>Socket 3-pole with fitting</p>	female	<p><a href="#">For AdBlue/AUS32.</a> Socket must be painted completely blue, according to TAB 01 mounting place: locomotive Weight: 0,5kg</p>	BK025- Buchse-L	BN 74010-01 BN 74010-02 TAB 01 TAB 02 TRwS 781.2
 <p>Socket 3-pole with fitting</p>	male	For fuel oil (HEL) according to DN74 010-02  mounting place: locomotive Weight:0,5kg	B025	BN 74010-01 BN 74010-02  Fld 26.97.BI10 / 008120
 <p>Socket 3-pole with fitting</p>	male	At operating voltage >24V the cover must be painted yellow. acc. to BN 74-010-01.  mounting place: locomotive Weight: 0,5kg	B025- La1004	BN 74010-01 BN 74010-02
 <p>Socket 3-pole with fitting</p>	female	For gas oil (HEL) according to DN74 010-02  mounting place: locomotive Weight:0,5kg	BK016	BN74 010-01 BN74 010-02  Fld 26.97.BI10 / 018202
 <p>Plug 3-pole</p>	female	For gas oil (HEL) according to DN74010-02  mounting place: filling station Weight:0,3kg	BK002	BN74 010-01 BN74 010-02  Fld 26.97.BI10 / 030606
 <p>Plug 3-pole</p>	male	For gas oil (HEL) according to DN74010-02  mounting place: filling station Weight:0,3kg	Bk005	BN74 010-01 BN74 010-02 DIN EN 13616  Fld 26.97.BI10 / 015251
 <p>Plug 3-pole</p>	female	<p><a href="#">for AdBlue / AUS 32</a> cover must be painted blue, according to TAB 01 mounting place: filling station Gewicht:0,3kg</p>	BK002- L5010- Deckel	BN 74010-01 BN 74010-02 TAB 01 TAB 02 TRwS 781.2 DIN EN 13616
 <p>Plug 3-pole</p>	male	<p><a href="#">for AdBlue / AUS 32</a> cover must be painted blue, according to TAB 01 mounting place: filling station Gewicht:0,3kg</p>	BK005- L5010- Deckel	BN 74010-01 BN 74010-02 TAB 01 TAB 02 TRwS 781.2 DIN EN 13616

**Example:**

Connector for locomotive as limit switches



**Special applications for AdBlue, operation voltage 24V and fuel oil**



Operation voltage 24V diesel fuel

Operation voltage 24V fuel oil

AdBlue

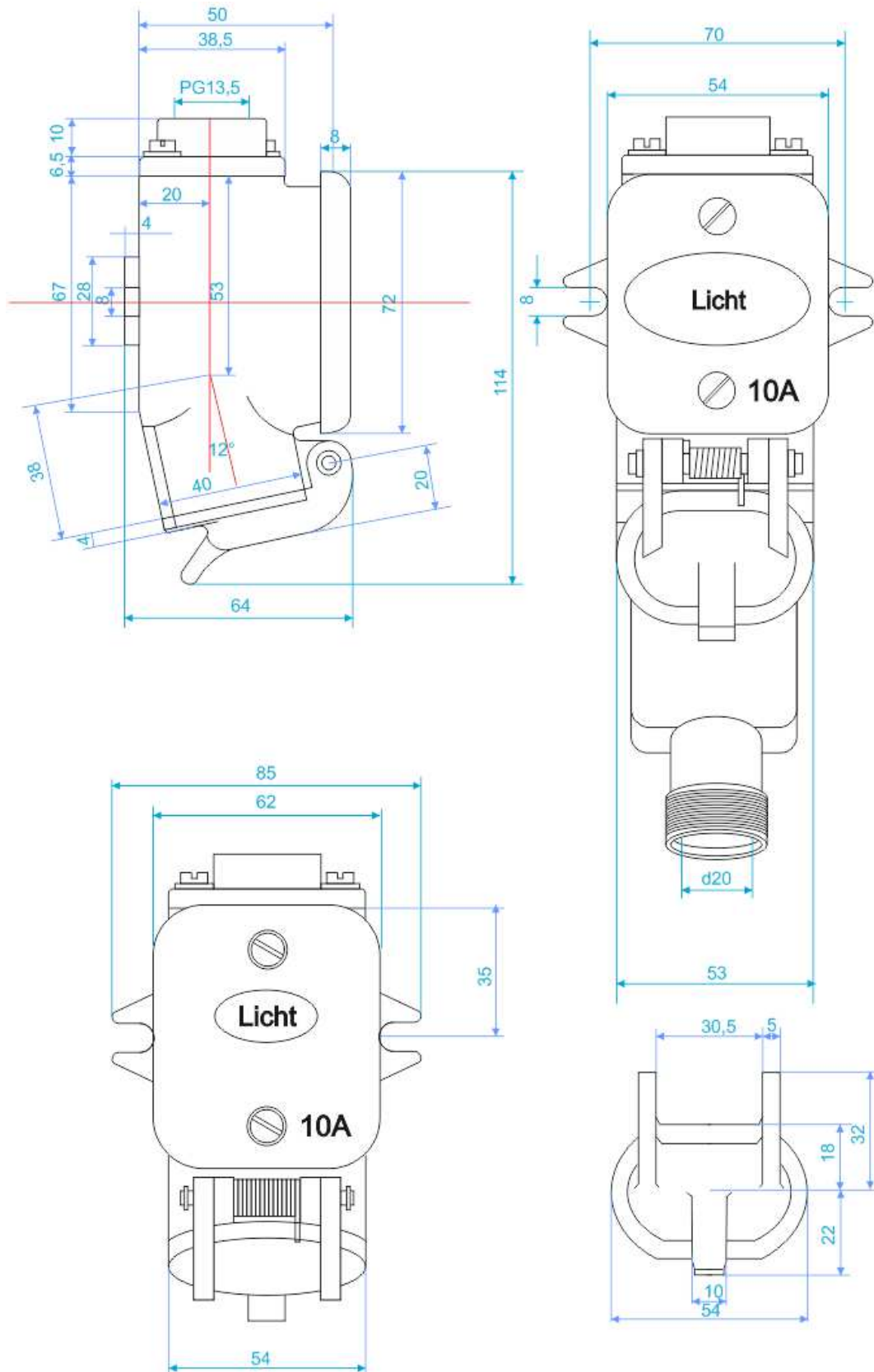
coupled 2-pole plug connection

**Cited standards and regulations:**

TRbF511	Richtlinie für den Bau von Grenzwertgebern
DS975/1	Beschreibung der Selbstbedienungszapfsäulen
DIN EN590	Kraftstoffe für Kraftfahrzeuge – Dieseldieselkraftstoff- Anforderung und Prüfverfahren; Deutsche Fassung EN 590:1990
DIN 51603-1	Flüssige Brennstoffe –Heizöl- Teil 1: Heizöl EL; Mindestanforderungen
DIN EN 13616	Überfüllsicherung für ortsfeste Tanks für flüssige Brenn- und Kraftstoffe
ISO 22241/DIN 70070/AUS32	wässrige Harnstofflösung
Bahn Norm (BN)	BN 74 010-01 Dieseldieselkraftstoffe
Bahn Norm (BN)	BN 74 010-02 Heizöl
Bahn Norm (BN)	BN 411 013-01 Schnittstelle zw. Tankanlage u. Schienenfahrzeuge (geschlossenes Befüllsystem)
Bahn Norm (BN)	BN 411 013-02 Schnittstelle zw. Tankanlage u. Schienenfahrzeuge (offenes Befüllsystem)
DB Energie GmbH TAB 01	Technische Anschlussbedingungen 01 - geschlossenes Befüllsystem für wässrige Harnstofflösung (AdBlue)
DB Energie GmbH TAB 02	Technische Anschlussbedingungen 02 - offenes Befüllsystem für wässrige Harnstofflösung (AdBlue)
TRwS 781.2	Betankung von Kraftfahrzeugen mit wässriger Harnstofflösung
STANAG 3756	Facilities and Equipment for Receipt and Delivery of Liquid Fuels

Customs tariff number: 85366990  
Country origin: Germany

**Dimensions: Limit switch (Diesel Fuel) 10A socket 2pol**

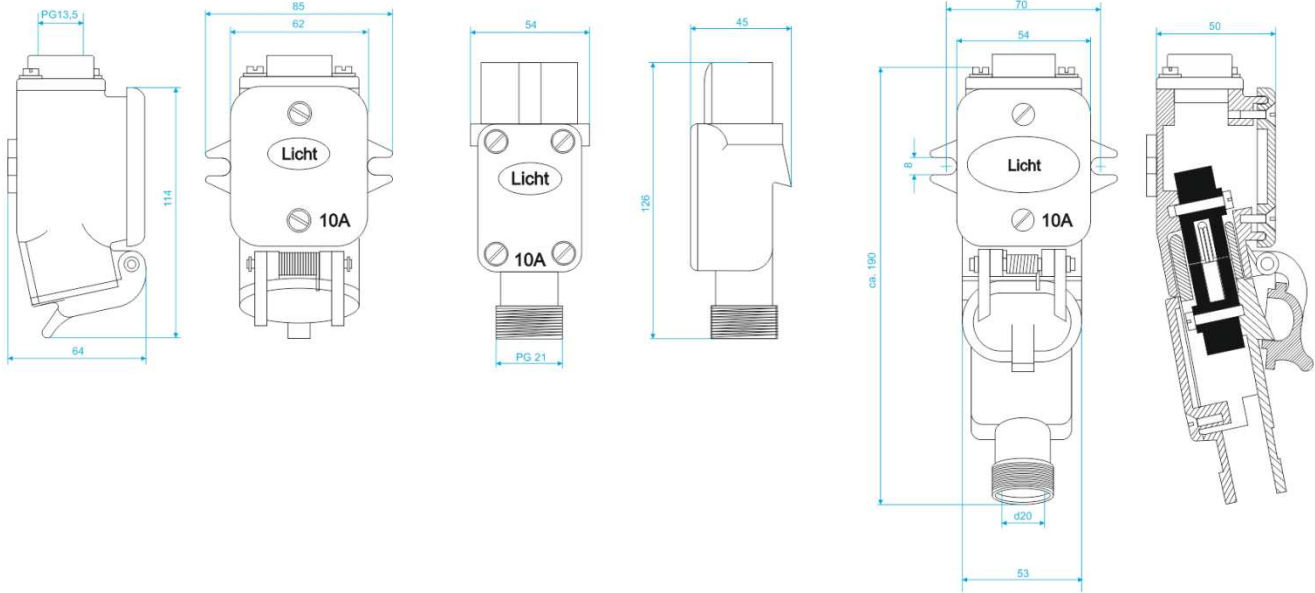


**Drawings 2-pole connectors (Diesel Fuel)**

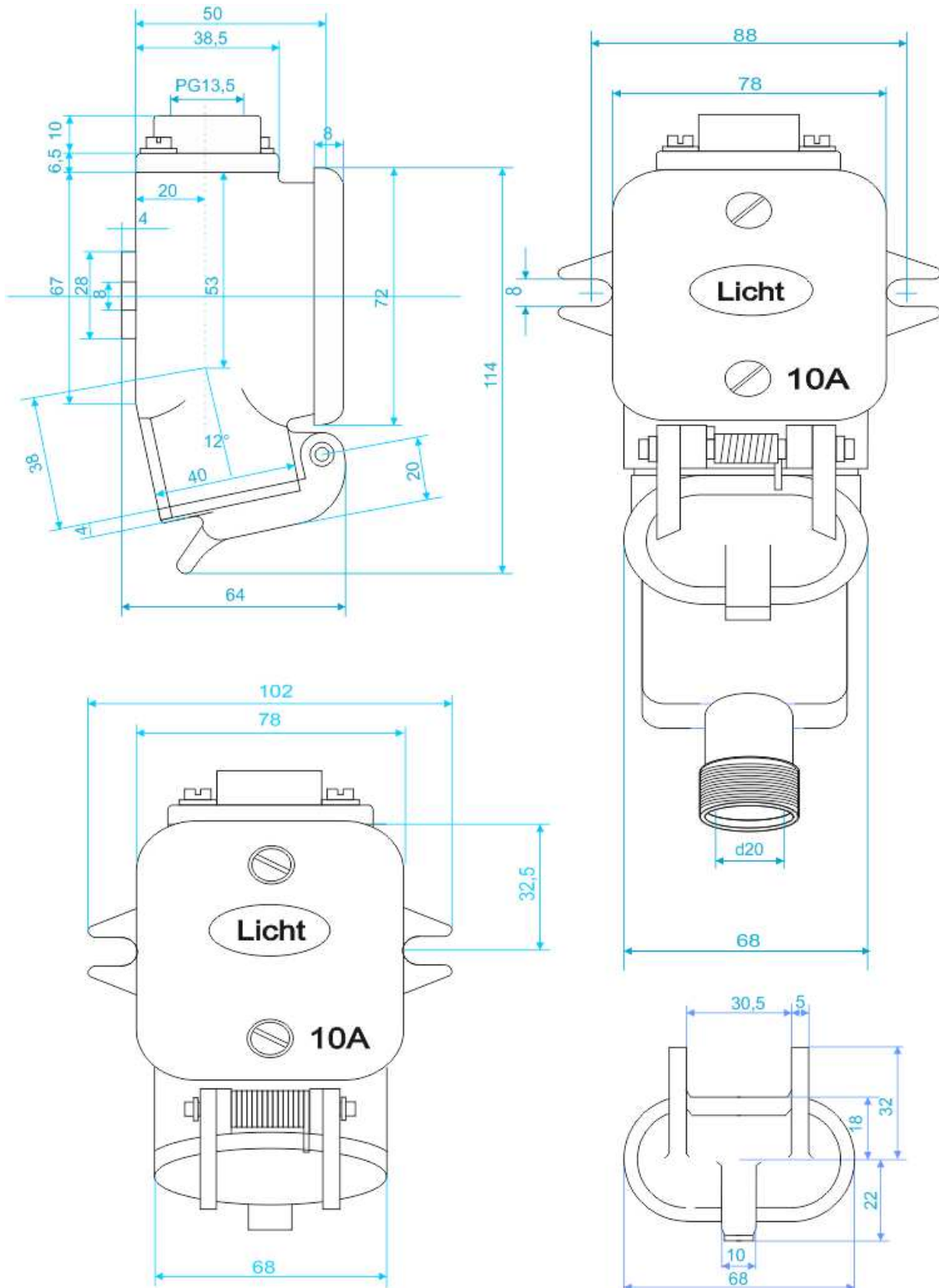
Socket

Plug

Socket & Plug



**Dimensions: Limit switch 10A socket 3pol (AdBlue and fuel oil)**



**Drawings: 3-pole connectors (AdBlue and fuel oil)**

